

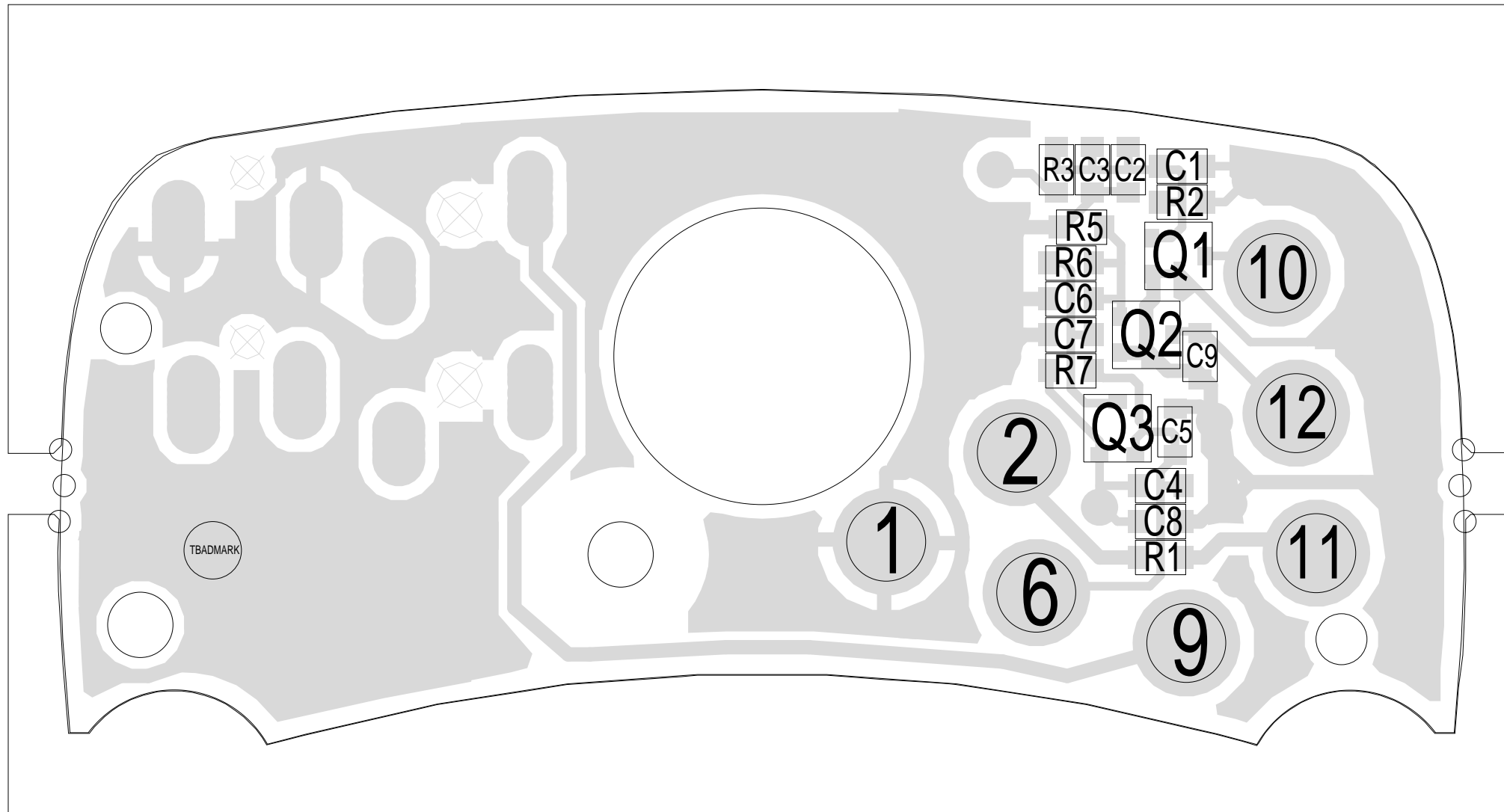
08A	ECO 50 1615 INCREASE HOLE SIZE	BRD				19-07-02
07A	ECO 501464	CJK				12-02-02
6A	ECN#50-0273. SWOP JACK SOCKETS (PINS TO SMT )	TONY-S				14-06-99
5A	ECN#50-0228. ADDED 1N0 CAP, C9	TONY-S				15/04/99
4A	ADDED 4 CAPACITORS	ADAM-D				19/03/98
3A	MADE BREAKOUTS MORE EFFECTIVE	ADAM-D				24/11/97
2A	CHANGED SOCKETS ROUND	ADAM-D				11-09-97
A		SD				20-08-97
REV/ISS	AMENDMENTS	DRAWN	CHKD	D.O.	APVD	DATE



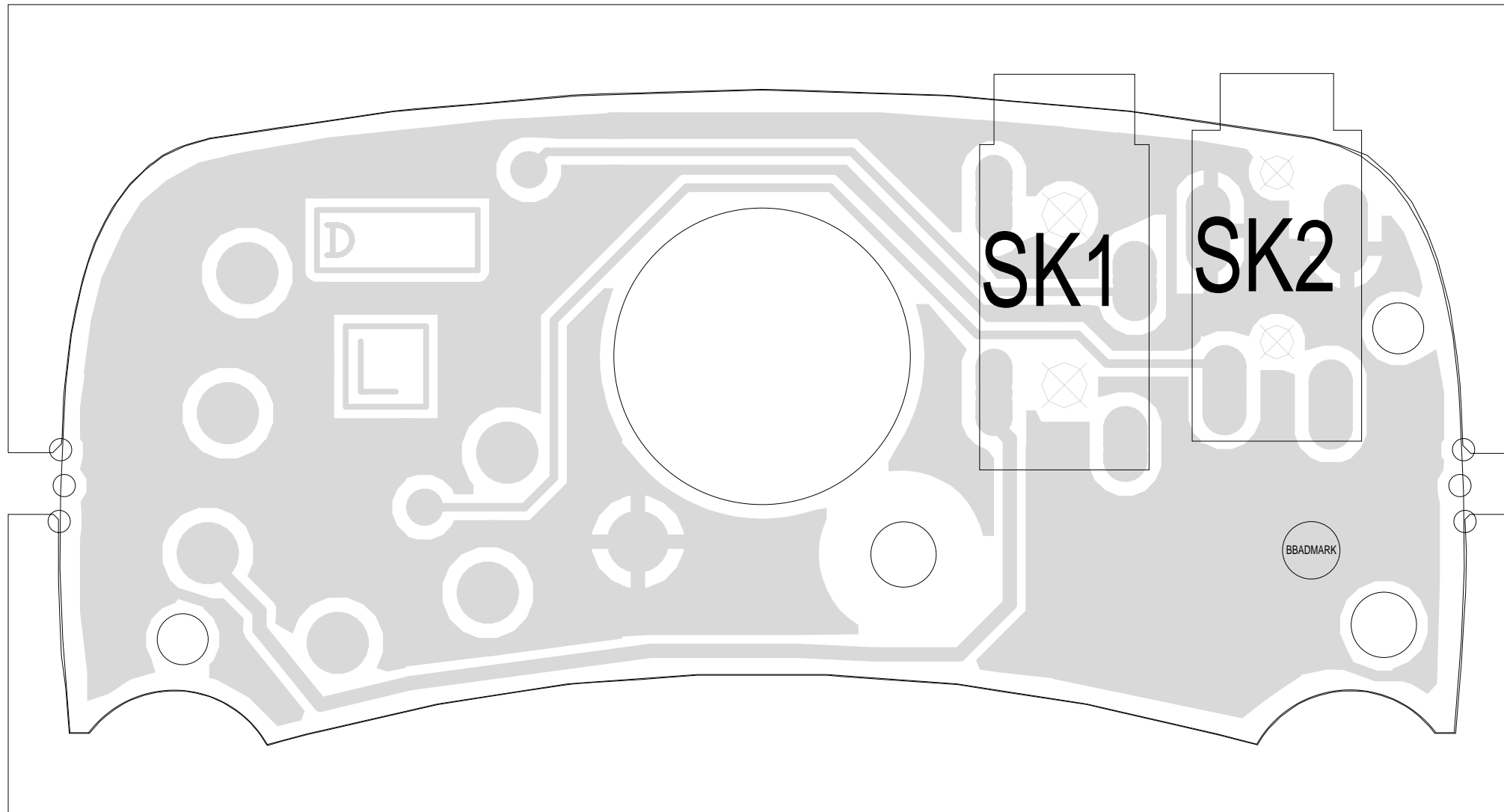
© TAIT ELECTRONICS  
 ORCA AUXILIARY CONNECTOR PCB  
 MOTOROLA

IPN: 220-01502-08    ISSUE: 08A    ID: 2.S.C. 1

PROJECT: ORCA    DESIGNER: BRD    FILE NAME: 150208a    FILE DATE: 19-Jul-02    NO. SHEETS: 1



TAIT ELECTRONICS	IPN: 220-01502-08	ISS: A	ID: 1.TA	DATE: 12 Jul 2002
ACC-ADPT-7.5 PCB LAYOUT - TOP SIDE				



TAIT ELECTRONICS	IPN: 220-01502-08	ISS: A	ID: 2.BA	DATE: 12 Jul 2002
ACC-ADPT-7.5 PCB LAYOUT - BOTTOM SIDE				

Scale:5:1 ; Rotation: 0 degrees